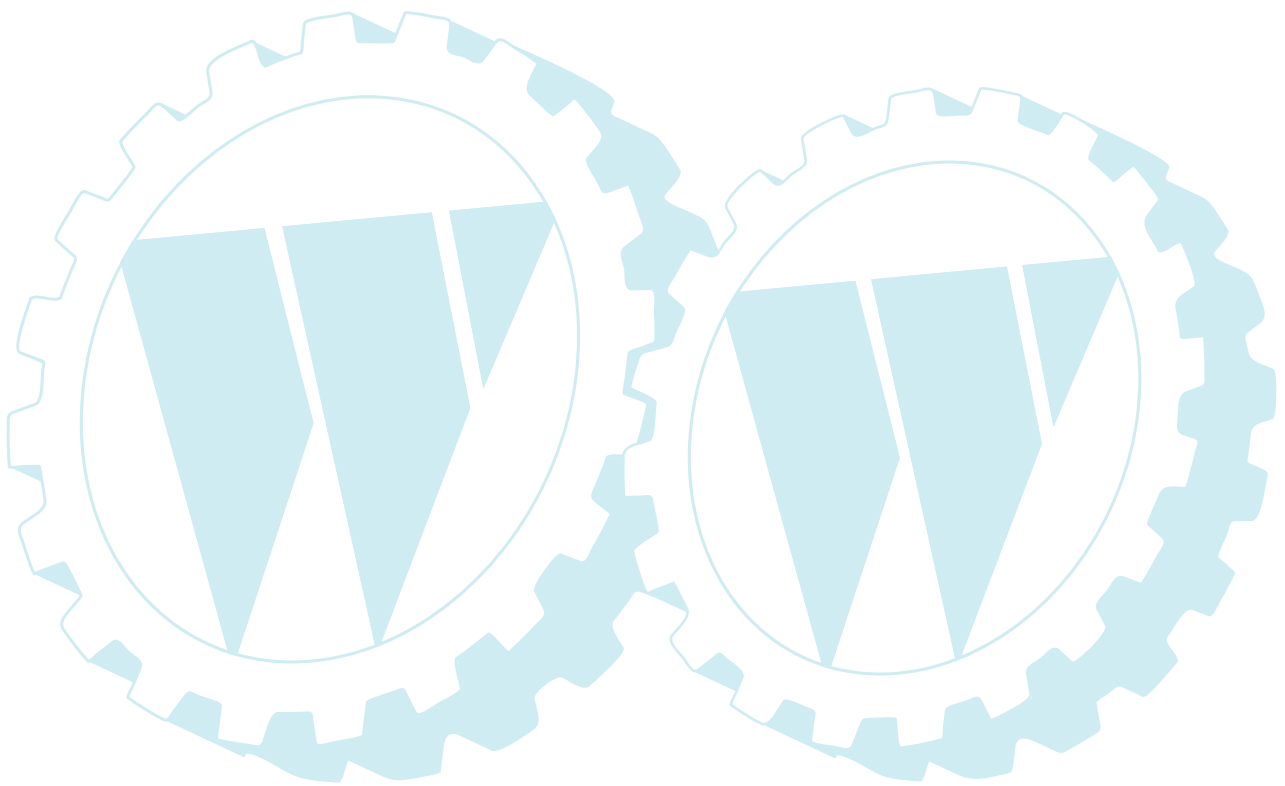


43-EL TURBOSTAR EDV-NR.SA497
AUFKLEBER

Page 1 of 10

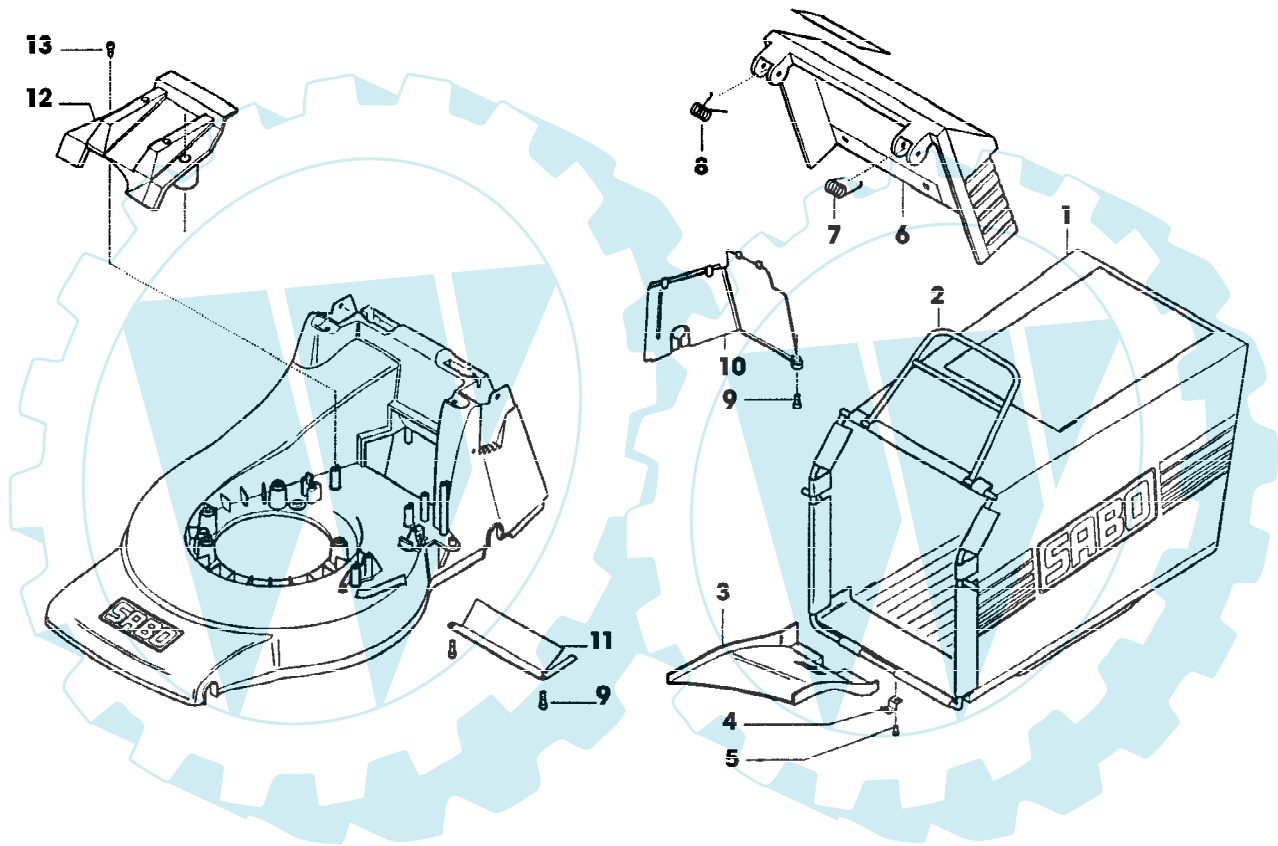


43-EL TURBOSTAR EDV-NR.SA497
AUFKLEBER

| Gruppennummer | Artikelnummer | Menge | Description |
|---------------|---------------|-------|-------------|
| 1 | SA35219 | 1 | AUFKLEBER |
| 2 | SA34695 | 1 | AUFKLEBER |



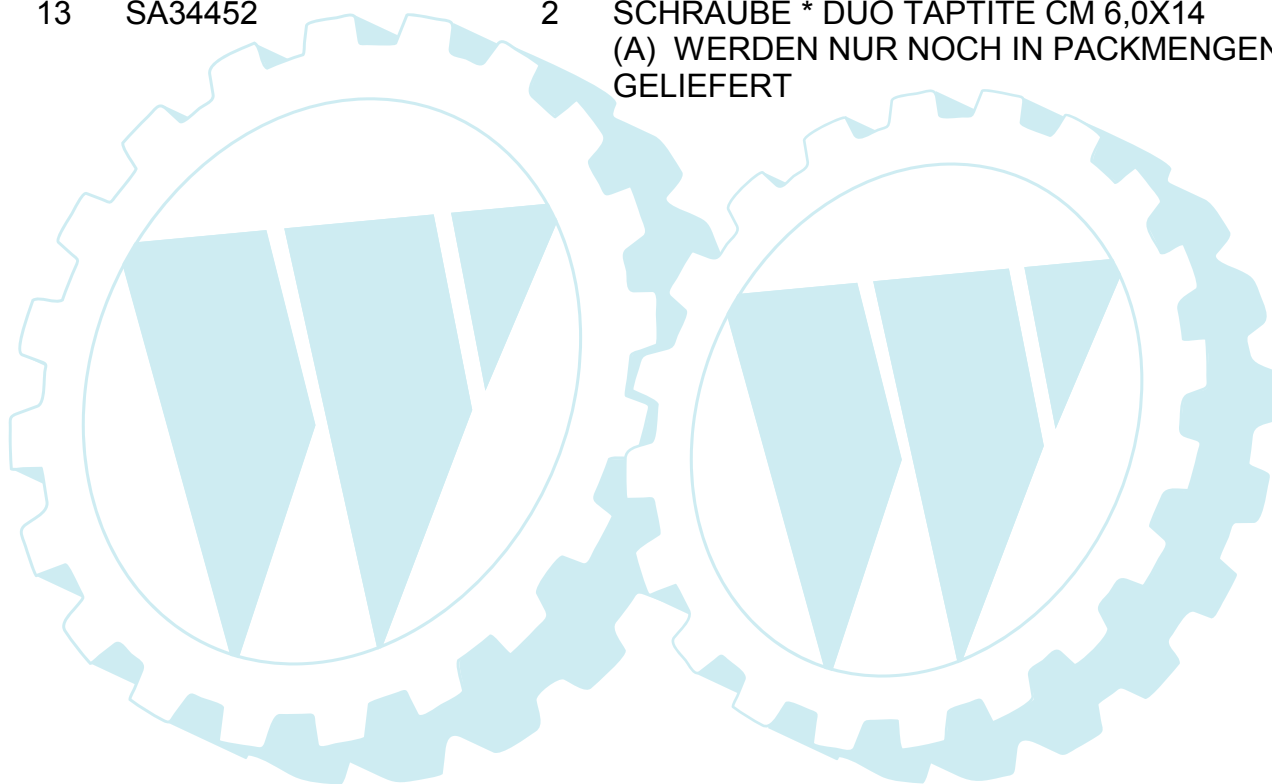
43-EL TURBOSTAR EDV-NR.SA497
FANGTUCH



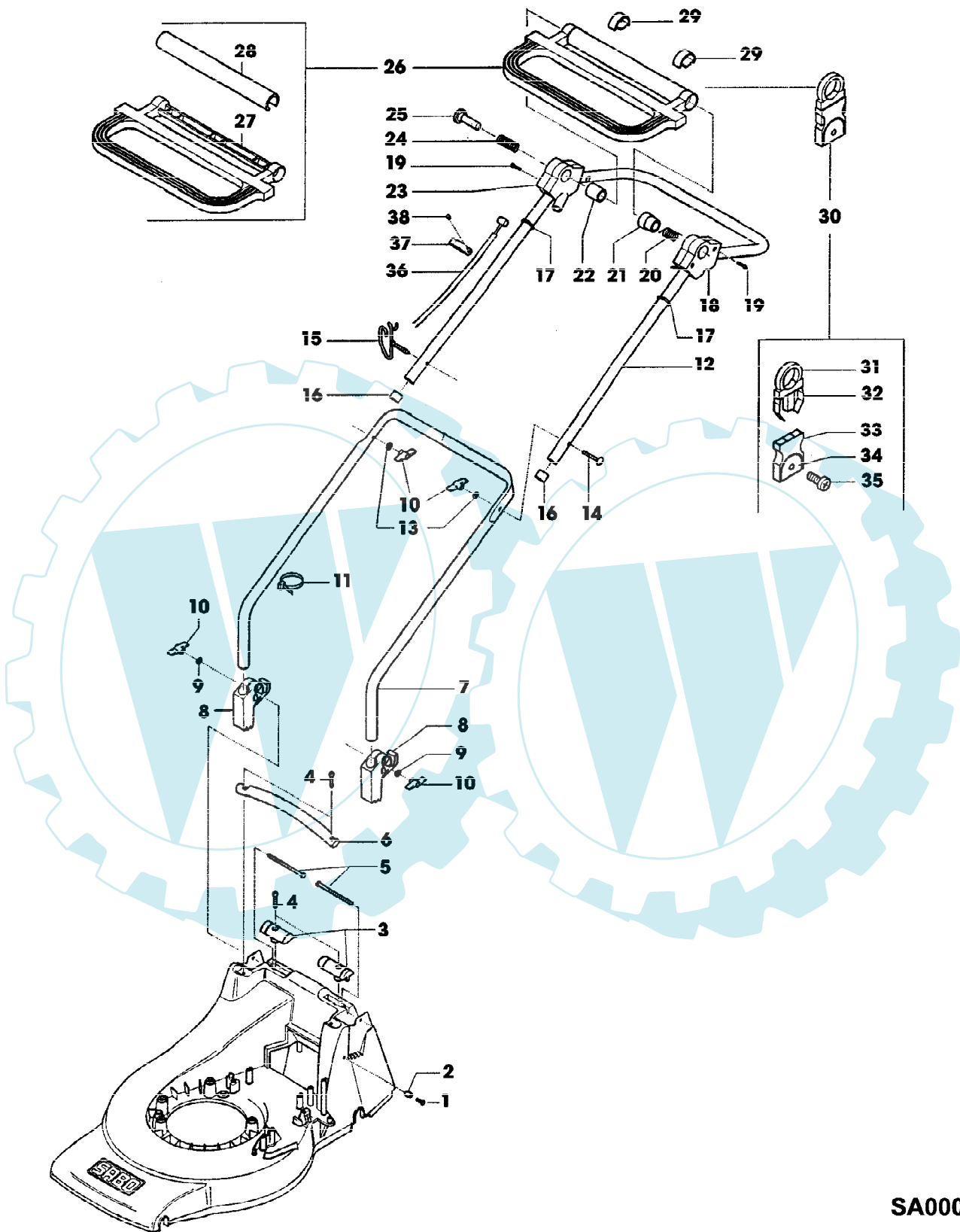
SA000588

43-EL TURBOSTAR EDV-NR.SA497
FANGTUCH

| Reihennummer | Artikelnummer | Menge | Description |
|--------------|---------------|-------|--|
| 1 | SA36105 | 1 | GRASFANGBEHAELTER |
| 2 | SA36739 | 1 | RAHMEN |
| 3 | SA33244 | 1 | RUTSCHE |
| 4 | SA17715 | 1 | FEDERKLEMME (A) |
| 5 | | 1 | 3,9X5,7 (ORD SA15541, SA15200, SA15410) |
| 6 | SA36193 | 1 | PRALLSCHUTZ |
| 7 | SA11397 | 1 | FEDER RH |
| 8 | SA31261 | 1 | FEDER LH |
| 9 | SA35503 | 3 | SCHRAUBE * DUO TAPTITE CM 60X20 |
| 10 | SA36107 | 1 | ABDECKUNG |
| 11 | SA36109 | 1 | BLECH |
| 12 | SA36092 | 1 | SCHUTZ |
| 13 | SA34452 | 2 | SCHRAUBE * DUO TAPTITE CM 6,0X14 (A) WERDEN NUR NOCH IN PACKMENGEN GELIEFERT |



43-EL TURBOSTAR EDV-NR.SA497
FUEHRUNGSHOLM, STARTER

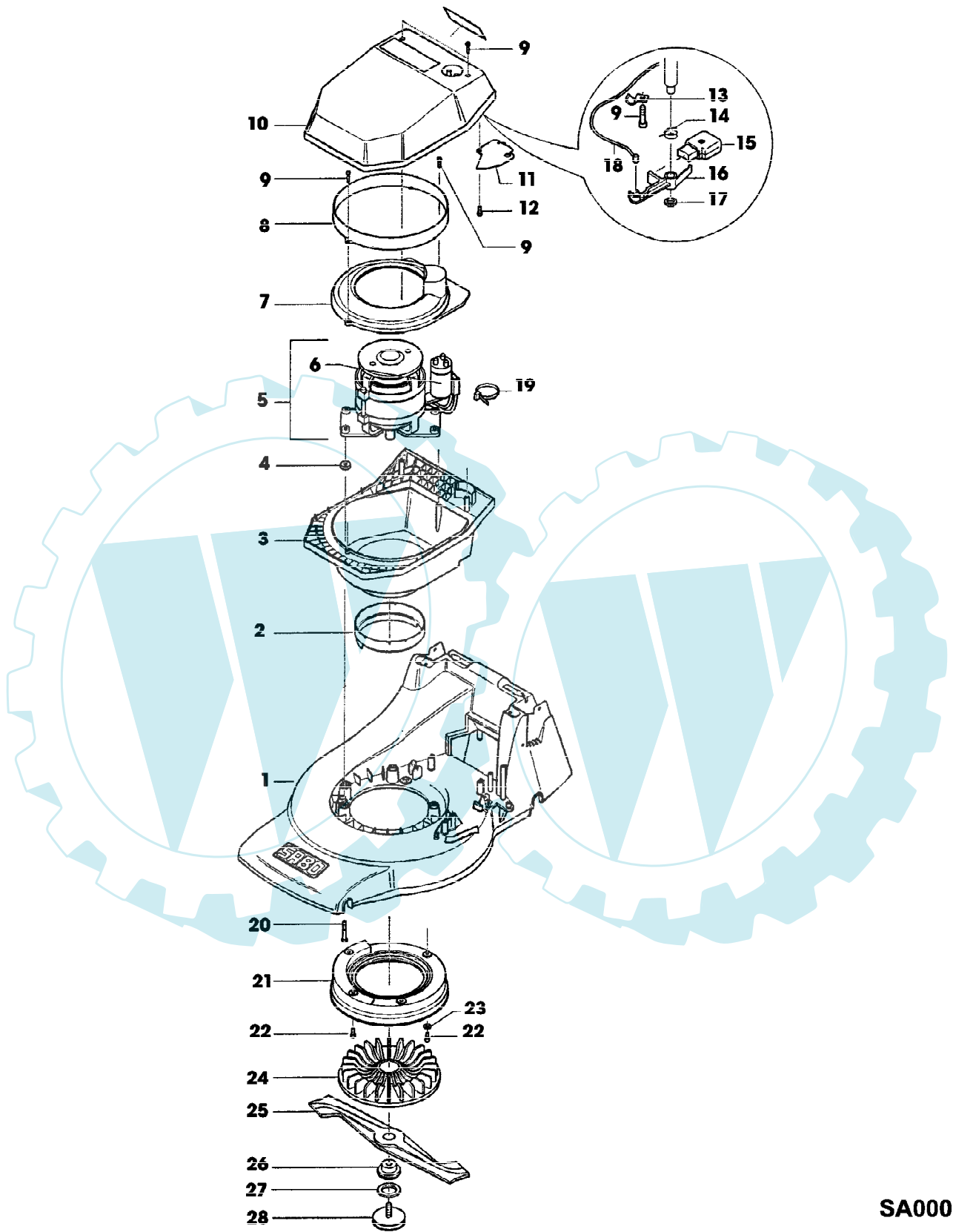


SA000643

43-EL TURBOSTAR EDV-NR.SA497
FUEHRUNGSHOLM, STARTER

| Reihennummer | Artikelnummer | Menge | Description |
|--------------|---------------|-------|---|
| 1 | SA33212 | 1 | ANSCHLAG |
| 2 | SA31264 | 1 | SCHRAUBE * M5X16 |
| 3 | SA36115 | 1 | ABDECKUNG DREHLAGER LH, RH |
| 4 | SA36124 | 4 | SCHRAUBE * DUO TAPTITE CM 6,0X30 |
| 5 | SA31174 | 2 | SECHSKANTSCHRAUBE M6X100 |
| 6 | SA36094 | 1 | GRIFF * |
| 7 | SA34405 | 1 | FUEHRUNG LOW |
| 8 | SA33256 | 2 | HALTER * |
| 9 | SA15212 | 2 | UNTERLEGSCHLEIFE (A) A 6,4 |
| 10 | SA31121 | 4 | FLUEGELMUTTER (A) |
| 11 | RA1000652 | 2 | KABELBINDER (SUB FOR SA12505) |
| 12 | SA15849 | 1 | LENKSTANGE UP |
| 13 | SA11243 | 2 | UNTERLEGSCHLEIFE |
| 14 | SA15632 | 1 | SCHRAUBE * M6X45 |
| 15 | SA35190 | 1 | FUEHRUNG M6 |
| 16 | SA15893 | 2 | KAPPE (A) |
| 17 | SA33773 | 2 | O-RING (A) |
| 18 | SA15875 | 1 | GEHAEUSE * LH |
| 19 | SA31423 | 6 | SCHRAUBE * KB 35X20 |
| 20 | SA32375 | 1 | FEDER |
| 21 | SA17010 | 1 | DISTANZSTUECK |
| 22 | SA15859 | 1 | ROLLE |
| 23 | SA11310 | 1 | GEHAEUSE * RH |
| 24 | SA15876 | 1 | DRUCKFEDER |
| 25 | SA11259 | 1 | DRUCKKNOPF |
| 26 | SA11816 | 1 | GRIFF * ASSY |
| 27 | SA11809 | 1 | GRIFF * |
| 28 | SA15857 | 1 | SCHALE |
| 29 | SA32374 | 2 | KLEMME |
| 30 | SA31745 | 1 | KABELHALTER ASSY |
| 31 | | 1 | NSEP (ORD SA31745) |
| 32 | | 1 | NSEP (ORD SA31745) |
| 33 | | 1 | NSEP (ORD SA31745) |
| 34 | | 1 | NSEP (ORD SA31745) |
| 35 | | 1 | NSEP (ORD SA31745) KBL 50X14 |
| 36 | SA33261 | 1 | SEILZUG |
| 37 | SA11311 | 1 | KLEMME |
| 38 | SA12182 | 1 | SCHRAUBE * (A) 4,2X19 (A) WERDEN NUR NOCH IN PACKMENGEN GELIEFERT |

43-EL TURBOSTAR EDV-NR.SA497
GEHAEUSE, MOTOR, MESSERBALKEN

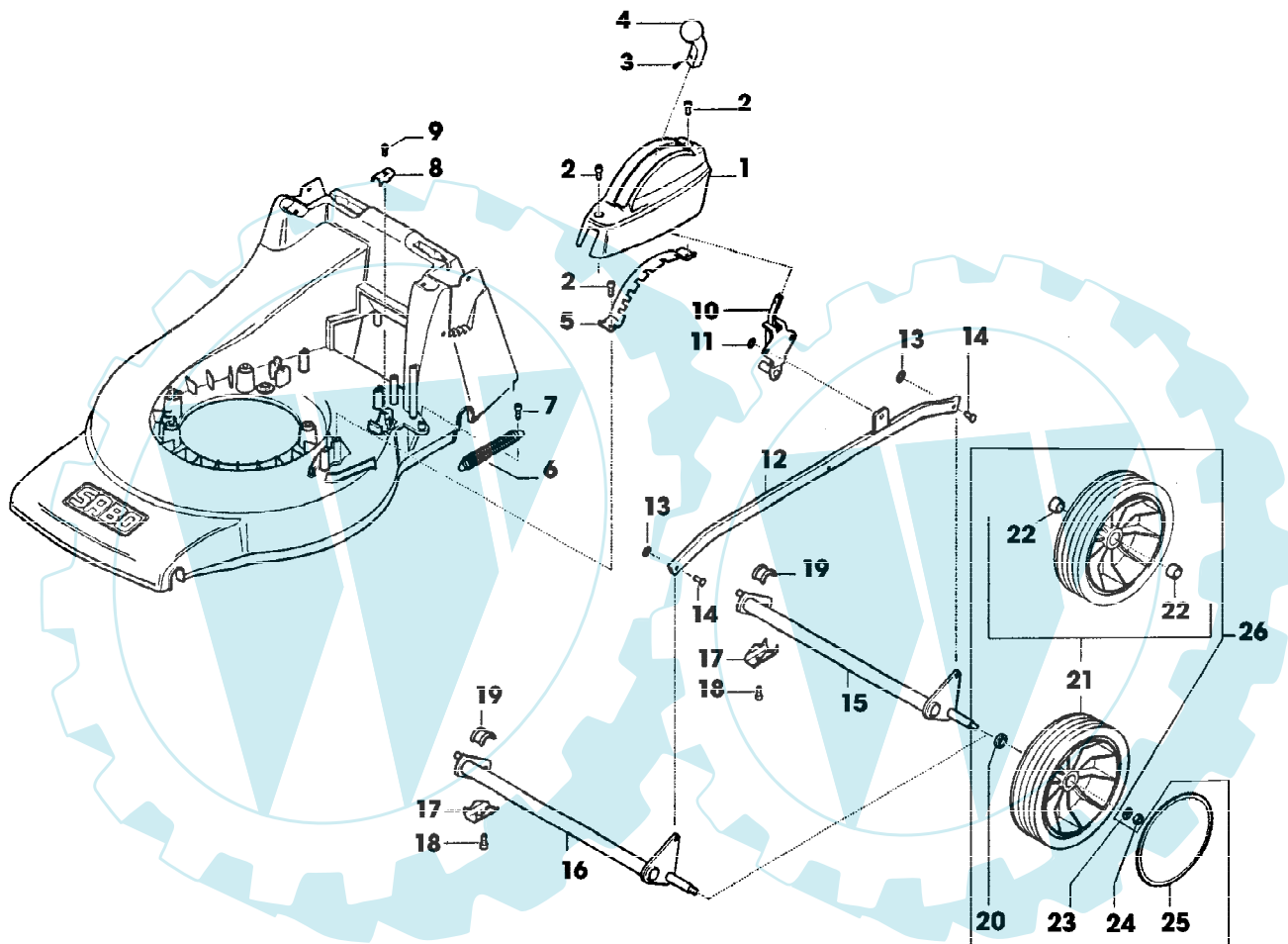


SA000639

43-EL TURBOSTAR EDV-NR.SA497
 GEHAEUSE, MOTOR, MESSERBALKEN

| Reihennummer | Artikelnummer | Menge | Description |
|--------------|---------------|-------|----------------------------------|
| 1 | SA32686 | 1 | MAEHGEHAEUSE |
| 2 | SA36218 | 1 | SCHUTZ |
| 3 | SA36215 | 1 | TRAEGER |
| 4 | SA16162 | 3 | ISOLATOR |
| 5 | SA36743 | 1 | 1500W |
| 6 | SA30966 | 1 | KONDENSATOR * |
| 7 | SA36214 | 1 | LUFTFUEHRUNG |
| 8 | SA36217 | 1 | SCHUTZ |
| 9 | SA15882 | 5 | SCHRAUBE * KB 50X20 |
| 10 | SA36213 | 1 | HAUBE |
| 11 | SA36235 | 1 | DECKEL |
| 12 | SA34487 | 1 | SCHRAUBE * K60X14 |
| 13 | SA11311 | 1 | KLEMME |
| 14 | SA11316 | 1 | FEDER |
| 15 | SA30476 | 1 | SCHALTER |
| 16 | SA30494 | 1 | HEBEL |
| 17 | SA18745 | 1 | WELLEGELENKSICHERUNGSSTIFT |
| 18 | SA33261 | 1 | SEILZUG |
| 19 | SA35338 | 3 | KABELBINDER 85 MM |
| 20 | SA15883 | 3 | SCHRAUBE * K 70X45 |
| 21 | SA36688 | 1 | LUEFTERHAUBE |
| 22 | SA34452 | 4 | SCHRAUBE * DUO TAPTITE CM 6,0X14 |
| 23 | SA34610 | 1 | SCHEIBE |
| 24 | SA35153 | 1 | LUEFTER |
| 25 | SA34454 | 1 | MESSER |
| 26 | SA34097 | 1 | FLANSCH |
| 27 | SA34273 | 1 | SCHEIBE |
| 28 | SA16549 | 1 | SCHRAUBE * |

43-EL TURBOSTAR EDV-NR.SA497
VORDER- UND HINTERACHSE



SA000641

43-EL TURBOSTAR EDV-NR.SA497
VORDER- UND HINTERACHSE

| Reihennummer | Artikelnummer | Menge | Description |
|--------------|---------------|-------|---|
| 1 | SA36095 | 1 | ABDECKUNG |
| 2 | SA34452 | 3 | SCHRAUBE * DUO TAPTITE CM 6,0X14 |
| 3 | SA35023 | 1 | SCHRAUBE * EJOT 30X8 |
| 4 | SA35086 | 1 | GRIFF * |
| 5 | SA36116 | 1 | SEGMENT |
| 6 | SA35273 | 1 | ZUGFEDER |
| 7 | SA34452 | 1 | SCHRAUBE * DUO TAPTITE CM 6,0X14 |
| 8 | SA36388 | 1 | KLEMME |
| 9 | SA29854 | 1 | SCHRAUBE * (A) M5X12 |
| 10 | SA36100 | 1 | HEBEL |
| 11 | SA34282 | 1 | FEDERMUTTER 8 |
| 12 | SA36098 | 1 | VERBINDUNGSSTANGE |
| 13 | SA12973 | 2 | FEDERMUTTER (A) D6 |
| 14 | SA17006 | 2 | BOLZEN 6 H11X 13,5 |
| 15 | SA36129 | 1 | HINTERACHSE REAR |
| 16 | SA34451 | 1 | ACHSE FRONT |
| 17 | SA36261 | 4 | KLEMME |
| 18 | SA29854 | 4 | SCHRAUBE * M5X12 |
| 19 | SA31711 | 4 | LAGERSCHALE |
| 20 | SA35229 | 4 | SCHEIBE |
| 21 | SA34392 | 4 | RAD KPL. MIT BEREIFUNG (B) 180 MM |
| 22 | SA33229 | 8 | KUGELLAGER |
| 23 | SA15213 | 4 | UNTERLEGSCHIEBE (A) A8,4 |
| 24 | SA11998 | 4 | SICHERUNGSMUTTER (A) M8 |
| 25 | SA36555 | 4 | DECKEL |
| 26 | SA35403 | 4 | RAD ASSY, 180 MM |
| | | | (A) WERDEN NUR NOCH IN PACKMENGEN GELIEFERT |
| | | | (B) WENN BESTAND AUFGEBRAUCHT BESTELLE BAUGRUPPE SA35403 |